

PLEASE CHECK WWW.MOLEX.COM FOR LATEST PART INFORMATION

Part Number: [0354398000](#)
Status: **Active**
Overview: [bulb sockets](#)
Description: 2.0mm (.079") Bulb-Socket Earth Terminal

Documents:

[Drawing \(PDF\)](#) [RoHS Certificate of Compliance \(PDF\)](#)
[Product Specification PS-35532-001 \(PDF\)](#)

General

Product Family	Crimp Terminals
Series	35439
Crimp Quality Equipment	Yes
Overview	bulb sockets
Product Name	Bulb Socket

Physical

Durability (mating cycles max)	10
Gender	Female
Material - Metal	Brass
Material - Plating Mating	Unplated
Packaging Type	Reel
Termination Interface: Style	Crimp or Compression
Wire Insulation Diameter	3.6mm (.146")
Wire Size AWG	18, 20
Wire Size mm ²	0.81MM, 1.02MM

Electrical

Current - Maximum per Contact	5A, 7A
Voltage - Maximum	300V AC (RMS)/DC

Material Info

Reference - Drawing Numbers

Packaging Specification	PK-35439-001
Product Specification	PS-35532-001
Sales Drawing	SD-35439-001

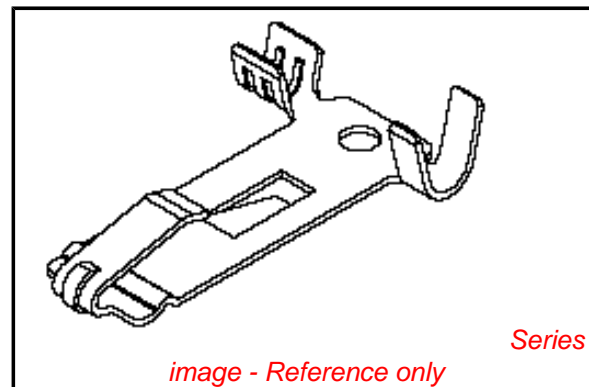


image - Reference only

EU RoHS

**ELV and RoHS
Compliant**
**REACH SVHC
Contains SVHC: No**
**Halogen-Free
Status**

China RoHS



**Need more information on product
environmental compliance?**

Email productcompliance@molex.com
 For a multiple part number RoHS Certificate of
 Compliance, [click here](#)

Please visit the [Contact Us](#) section for any
 non-product compliance questions.

Search Parts in this Series

[35439Series](#)

Application Tooling | [FAQ](#)

*Tooling specifications and manuals are
 found by selecting the products below.
 Crimp Height Specifications are then
 contained in the Application Tooling
 Specification document.*

Global

Description	Product #
Extractor Tool for Crimp Terminals for PT Bulb Socket 0.5-0.85mm ² AWG and 2.0mm (.079") Bulb-Socket Earth Terminal	0638133600
Mini-Mac™ Applicator for 2.00mm (.079") Bulb-Socket Earth Terminal	0638026000

Hand Crimp Tool for [0638197900](#)
Bulb Socket Earth
Terminal for 0.50 to
0.85mm² AWG

This document was generated on 06/01/2010

PLEASE CHECK WWW.MOLEX.COM FOR LATEST PART INFORMATION

DWG. NO. SD-35439-001

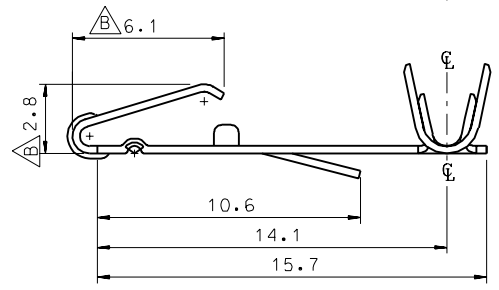
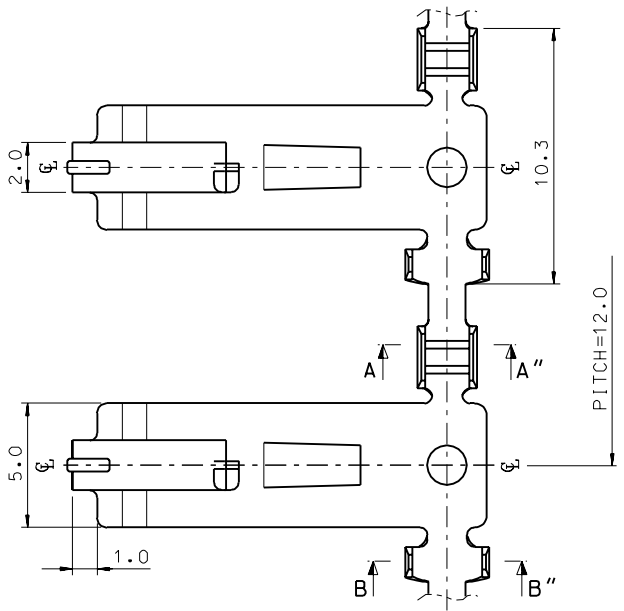
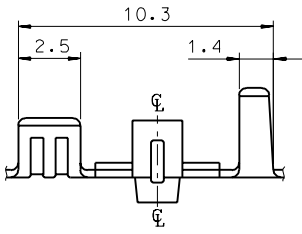
SIMILAR ITEM

PROJECT NO.

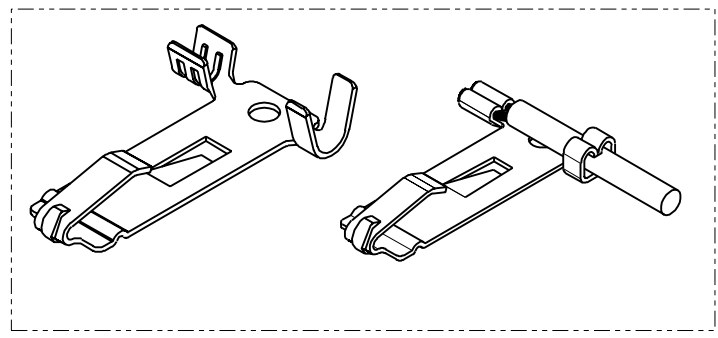
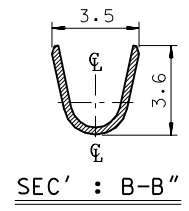
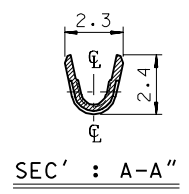
C

B

DO NOT SCALE DRAWING
DIMENSION IN METRIC



- NOTES
1. MATERIAL : PHOSPHOR BRONZE
THICKNESS : 0.3mm
 2. FINISH : NONE
 3. APPLICABLE WIRE : 0.5 - 0.85mm²
 4. RECOMMENDED LENGTH OF WIRE STRIP IS 3.2-3.8mm.



REVISED EC NO. KOR2003-0179 DRWN: S.M.KIM 03/02/13 CHKY: SIK.KIM 03/02/13 APPR: C.W.LEE	DESCRIPTION MAJOR -0 CRITICAL C -0	GENERAL TOLERANCES: (UNLESS SPECIFIED)		SCALE: 5:1	DESIGN UNITS <input checked="" type="checkbox"/> mm <input type="checkbox"/> INCH	DIMENSIONS: <input type="checkbox"/> mm <input type="checkbox"/> INCH <input checked="" type="checkbox"/> mm ONLY		SHT	REV
		4 PLACES	±0.	±.	DRAWN BY & DATE J.S.KANG 97/11/28	TITLE: BULB SOCKET EARTH TERMINAL			
		3 PLACES	±0.	±.	CHECKED BY & DATE B.K.CHOI 97/11/29	MOLEX INCORPORATED			
		2 PLACES	±0.15	±.	APPROVED BY & DATE C.W.LEE 97/11/28	MATERIAL NO. 35439-8000	DRAWING NO. SD-35439-001	SHEET NO. 1 OF 1	SIZE B
B	REV	ANGULAR: ± 2 °		CAD FILENAME sd35439.dgn	THIS DRAWING CONTAINS INFORMATION THAT IS PROPRIETARY TO MOLEX INCORPORATED AND SHOULD NOT BE USED WITHOUT WRITTEN PERMISSION.				
DRAFT WHERE APPLICABLE MUST REMAIN WITHIN DIMENSIONS									